

All rights reserved by **CNH Industrial**.

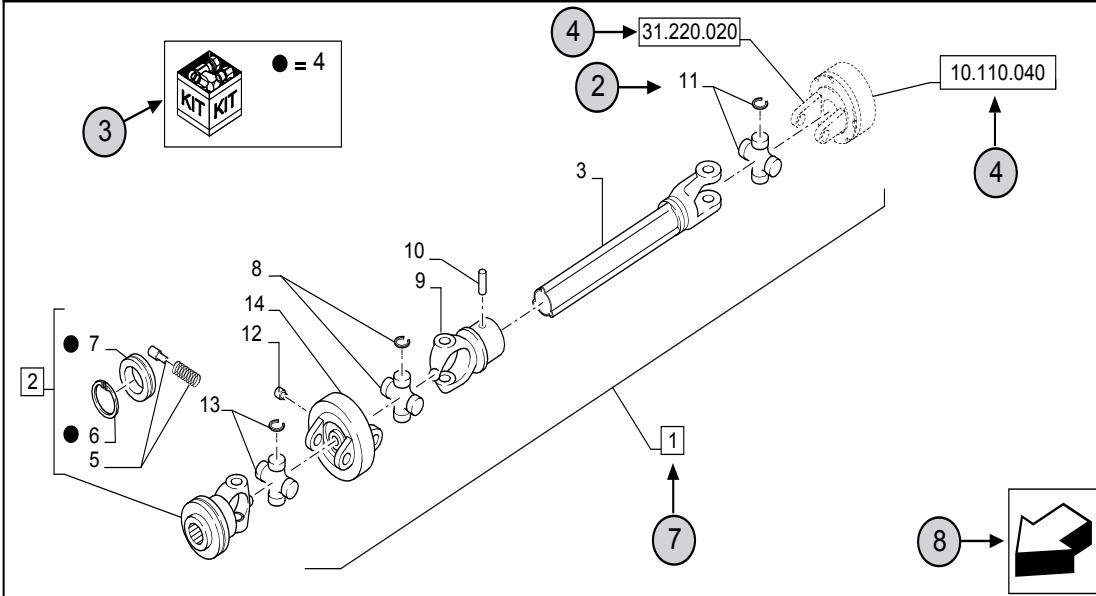
The information contained in this catalogue is intended to be of a general nature only. **CNH Industrial** may at any time and from time to time, for technical or other necessary reasons, modify any of the details or specifications of the product described in this catalogue.

To be sure of getting accurate, detailed and up-to-date information, an intending buyer should consult his nearest **CNH Industrial** dealer or distributor.

Single item numeration method used in this catalogue may not be used without written consent from **CNH Industrial**

31.220.010	01	p1	10/2014
------------	----	----	---------

VAR - 123782, 789101,987654 - PTO - D650



STANDARD ← 6

23	9	10	31.220.010	01	p1	10/2014
----	---	----	------------	----	----	---------

VAR - 123782, 789101,987654 - PTO - D650

11

12

13

14

REF	FN	PART NUMBER	YR/SN	QTY	DESCRIPTION
1	1	86529340	20	1	SHAFT PTO, Incl 2 - 11
2	15	84014007		1	YOKE, Incl 4 - 7 ← 7
3	16	NSS		1	NOT SERVICED SEPARATELY, SHAFT, 350mm, Incl in 1
4		84004292		1	KIT, Seal Kit, Incl 6, 7 ← 17
4		{84058743}		1	KIT, Seal Kit, Incl 6, 7
2				21	
18				22	
19					
		1 = FOR ITALY ONLY ← 5			

MODELS ← 1


- 1 Model Number and Model Description
- 2 Reference - Figure call-out of the part number.
- 3 Parts supplied in repair kits per symbol reference.
- 4 31.220.020 Part illustrated on the **Page** or in the **Figure** indicated, or calls for **Variations** or **Details**. Indicates components shown in detail elsewhere in the catalogue under the figure number shown.
- 5 Footnote references
- 6 Figure notes
- 7 1 2 Includes item(s) (See Description within partlist).
- 8 Orientation. (Arrow indicates front of the machine). 
- 9 Figure description.
- 10 General information of the figure.
- 11 Figure title number that aligns with the SRT. Standard Repair Time.
- 12 **Sequence** code within the assembly.
- 13 Page number within the sequence code.
- 14 **Date** of printing or updating of page (month-year).
- 15 **Note** - Relating to the Part Number. There is a key to symbols and abbreviations at the bottom of the text page.
- 16 Non-serviced parts.
- 17 Further description of the part to help confirm identification.
- 18 Not available as service part.
- 19 Part Number.
- 20 To be defined.
- 21 Total **Quantity** of the Part referred to in the page.
The quantity can be replaced by the following indications:
AR = quantity as requested.
- 22 Part **Description**.
- 23 Variant Codes

TABLE OF CONTENTS

00.000.00		PICTORIAL INDEX - MAIN SECTIONS
00.000.05		PICTORIAL INDEX - MACHINE COMPLETION AND EQUIPMENT
00.000.10	01	PICTORIAL INDEX - ENGINE
00.000.10	02	PICTORIAL INDEX - ENGINE
00.000.21	01	PICTORIAL INDEX - TRANSMISSION
00.000.21	03	PICTORIAL INDEX - TRANSMISSION
00.000.21	06	PICTORIAL INDEX - TRANSMISSION
00.000.25	01	PICTORIAL INDEX - FRONT AXLE SYSTEM
00.000.25	02	PICTORIAL INDEX - FRONT AXLE SYSTEM
00.000.25	03	PICTORIAL INDEX - FRONT AXLE SYSTEM
00.000.25	04	PICTORIAL INDEX - FRONT AXLE SYSTEM
00.000.25	05	PICTORIAL INDEX - FRONT AXLE SYSTEM
00.000.27		PICTORIAL INDEX - REAR AXLE SYSTEM
00.000.31	01	PICTORIAL INDEX - IMPLEMENT POWER TAKE-OFF
00.000.31	02	PICTORIAL INDEX - IMPLEMENT POWER TAKE-OFF
00.000.31	03	PICTORIAL INDEX - IMPLEMENT POWER TAKE-OFF
00.000.31	04	PICTORIAL INDEX - IMPLEMENT POWER TAKE-OFF
00.000.31	05	PICTORIAL INDEX - IMPLEMENT POWER TAKE-OFF
00.000.31	06	PICTORIAL INDEX - IMPLEMENT POWER TAKE-OFF
00.000.33	01	PICTORIAL INDEX - BRAKES & CONTROLS
00.000.33	02	PICTORIAL INDEX - BRAKES & CONTROLS
00.000.33	03	PICTORIAL INDEX - BRAKES & CONTROLS
00.000.33	04	PICTORIAL INDEX - BRAKES & CONTROLS
00.000.35	01	PICTORIAL INDEX - HYDRAULIC SYSTEMS
00.000.35	03	PICTORIAL INDEX - HYDRAULIC SYSTEMS
00.000.35	04	PICTORIAL INDEX - HYDRAULIC SYSTEMS
00.000.35	05	PICTORIAL INDEX - HYDRAULIC SYSTEMS
00.000.35	06	PICTORIAL INDEX - HYDRAULIC SYSTEMS
00.000.35	07	PICTORIAL INDEX - HYDRAULIC SYSTEMS
00.000.37	01	PICTORIAL INDEX - HITCHES, DRAWBARS AND IMPLEMENT COUPLINGS
00.000.37	02	PICTORIAL INDEX - HITCHES, DRAWBARS AND IMPLEMENT COUPLINGS
00.000.37	03	PICTORIAL INDEX - HITCHES, DRAWBARS AND IMPLEMENT COUPLINGS
00.000.39	01	PICTORIAL INDEX - FRAMES AND BALLASTING
00.000.41	01	PICTORIAL INDEX - STEERING
00.000.41	02	PICTORIAL INDEX - STEERING
00.000.44	01	PICTORIAL INDEX - FRONT, WHEEL

TABLE OF CONTENTS

00.000.44	02	PICTORIAL INDEX - REAR, WHEEL
00.000.50	01	PICTORIAL INDEX - CAB CLIMATE CONTROL
00.000.50	02	PICTORIAL INDEX - CAB CLIMATE CONTROL
00.000.55	01	PICTORIAL INDEX - ELECTRICAL SYSTEMS
00.000.55	02	PICTORIAL INDEX - ELECTRICAL SYSTEMS
00.000.55	03	PICTORIAL INDEX - ELECTRICAL SYSTEMS
00.000.55	04	PICTORIAL INDEX - ELECTRICAL SYSTEMS
00.000.55	05	PICTORIAL INDEX - ELECTRICAL SYSTEMS
00.000.55	06	PICTORIAL INDEX - ELECTRICAL SYSTEMS
00.000.55	07	PICTORIAL INDEX - ELECTRICAL SYSTEMS
00.000.88		PICTORIAL INDEX - ACCESSORIES
00.000.90	01	PICTORIAL INDEX - PLATFORM, CAB, BODYWORK AND DECALS
00.000.90	02	PICTORIAL INDEX - PLATFORM, CAB, BODYWORK AND DECALS
00.000.90	03	PICTORIAL INDEX - PLATFORM, CAB, BODYWORK AND DECALS
00.100.01	01	IDENTIFICATION PLATES AND VERSION LIST
00.100.04	01	OPTIONAL EQUIPMENT
00.100.04	02	OPTIONAL EQUIPMENT
00.100.04	03	OPTIONAL EQUIPMENT
00.100.04	04	OPTIONAL EQUIPMENT
05.000.00		SECTION INDEX - MACHINE COMPLATION AND EQUIPMENT
05.100.01		INITIAL STOCKING LIST (LIST A)
05.100.02		INITIAL STOCKING LIST (LIST B)
05.100.03		CAPACITIES
05.100.04	01	MAINTENANCE PARTS - FILTERS
05.100.04	02	MAINTENANCE PARTS - STARTER MOTOR, ALTERNATOR, BELTS
05.100.04	03	MAINTENANCE PARTS - FUSES
05.100.04	04	MAINTENANCE PARTS - BULBS
05.100.04	05	MAINTENANCE PARTS - PUMPS
10.000.00	01	SECTION INDEX - ENGINE
10.000.00	02	SECTION INDEX - ENGINE
10.001.AD		VAR - 391130, 758000 - ENGINE, ASSY
10.103.AH		VAR - 391130, 758000 - ENGINE FLYWHEEL
10.202.AB		VAR - 391130, 758000 - AIR CLEANER, COMPONENTS
10.202.AH		VAR - 391130, 758000 - AIR CLEANER, SUPPORT
10.202.AK		VAR - 391130, 758000 - AIR CLEANER, LINES
10.206.AG	01	FUEL FILTER, SUPPORT

TABLE OF CONTENTS

10.206.AG	02	VAR - 758223, 758235, 758240, 758241, 758250 - FUEL FILTER, SUPPORT
10.206.AG	03	FUEL FILTER, COMPONENTS
10.216.AI	02	VAR - 391131, 758001 - FUEL TANK, COMPONENTS
10.216.AI	04	VAR - 391131, 758001 - FUEL TANK, ASSY
10.216.AI	05	VAR - 391131, 758001 - FUEL TANK, COVERS
10.216.AI	10	VAR - 391131, 758001 - FUEL TANK
10.216.AI	11	VAR - 391131, 758001 - FUEL TANK, RH, COMPONENTS
10.216.AI	12	VAR - 391131, 758001 - FUEL TANK, SUPPORT, RH
10.216.AI	13	VAR - 758001 - FUEL TANK, SHIELD, RH
10.216.AI	14	VAR - 391131 - FUEL TANK, SUPPORT
10.216.AI	15	VAR - 758001 - FUEL TANK, SUPPORT
10.216.AX		VAR - 758223, 758235, 758240, 758241, 758250 - FUEL COOLER
10.216.AY		VAR - 758223, 758235, 758240, 758241, 758250 - FUEL COOLER, LINES
10.216.BA	01	FUEL TANK, LINES
10.216.BA	02	VAR - 758223, 758235, 758240, 758241, 758250 - FUEL TANK, LINES
10.254.AD	01	VAR - 391130, 758000 - EXHAUST SYSTEM PIPE
10.254.AD	02	VAR - 391209, 758197 - EXHAUST SYSTEM PIPE, COVERS
10.254.AD	03	VAR - 391209 - EXHAUST SYSTEM PIPE, COVERS
10.254.AD	04	VAR - 758197 - EXHAUST SYSTEM PIPE, COVERS
10.254.AI	01	VAR - 391130, 758000 - EXHAUST SYSTEM, MUFFLER - END YR 07-JAN-2014
10.254.AI	01A	VAR - 391130, 758000 - EXHAUST SYSTEM, MUFFLER - BEGIN YR 08-JAN-2014
10.254.AZ		VAR - 758005 - EXHAUST BRAKE, PEDAL
10.310.AA	02	VAR - 391130, 758000 - INTERCOOLER, COMPONENTS
10.310.AB		VAR - 391130, 758000 - INTERCOOLER LINE
10.400.AK		VAR - 391130, 758000 - EXPANSION TANK, HOSE
10.400.AY		VAR - 391130, 758000 - RADIATOR, HOSE
10.400.BE		VAR - 391130, 758000 - RADIATOR, COMPONENTS
10.400.BF	01	VAR - 391130 - FAN, SHROUD
10.400.BF	02	VAR - 758000 - FAN, SHROUD
10.400.BF	04	VAR - 391130, 758000 - RADIATOR, SUPPORT
10.400.BF	05	VAR - 391172, 758095, 758097, 758098 - RADIATOR, SEAL
10.400.BF	06	VAR - 758088, 758089, 758090 - RADIATOR, SEAL
10.400.BF	07	VAR - 758088, 758089, 758090 - RADIATOR, SEAL
10.400.BF	08	VAR - 758091 - RADIATOR, SEAL
10.400.BF	10	VAR - 758092 - RADIATOR, SEAL
10.400.BF	11	VAR - 758092 - RADIATOR, SEAL

TABLE OF CONTENTS

10.400.BF	13	VAR - 758093 - RADIATOR, SEAL
10.400.BH		VAR - 391130, 758000 - EXPANSION TANK, COMPONENTS
10.414.AC	01	VAR - 391130 - FAN
10.414.AC	02	VAR - 758000 - REVERSIBLE FAN, COMPONENTS
10.414.AD	01	VAR - 391130 - FAN, PULLEY
10.414.AD	02	VAR - 758000 - FAN, PULLEY
10.414.AQ		VAR - 758000 - REVERSIBLE FAN
10.414.BE	01	VAR - 391130 - FAN, BELT
10.414.BE	02	VAR - 758000 - FAN, BELT
10.500.AA		VAR - 391131, 758001 - DEF/ADBLUE TANK, COMPONENTS
10.500.AD	01	VAR - 391130, 758000 - DEF/ADBLUE, LINES
10.500.AD	02	VAR - 391130, 758000 - DEF/ADBLUE, LINES - END YR 20-FEB-2014
10.500.AD	02A	VAR - 391130, 758000 - DEF/ADBLUE, LINES - BEGIN YR 21-FEB-2014
10.500.AG		VAR - 391130, 758000 - DEF/ADBLUE, LINES
10.500.AR		VAR - 391131, 758001 - HEATER VALVE
10.501.AD	01	VAR - 391130, 758000 - EXHAUST SYSTEM, CATALYTIC
21.000.00	01	SECTION INDEX - TRANSMISSION
21.000.00	03	SECTION INDEX - TRANSMISSION
21.000.00	06	SECTION INDEX - TRANSMISSION
21.105.BL	01	VAR - 391161, 758056, 337431, 337432 - TRANSMISSION LUBRICATION LINE, POWERSHIFT
21.105.BL	02	VAR - 337429, 337430 - TRANSMISSION LUBRICATION LINE, POWERSHIFT
21.109.AD	01	VAR - 337426, 337428, 337429, 337430, 337431, 337432, 391137, 758017, 758018, 758019, 758020, 758021 - TRANSMISSION, OIL COOLER, LINE
21.109.AD	02	VAR - 337426, 337427, 337428, 337429, 337430, 337431, 337432, 391137, 758017, 758018, 758019, 758020, 758021 - TRANSMISSION, OIL COOLER, LINE
21.113.00		SERVICE KIT, TRANSMISSION, FULL-POWERSHIFT
21.118.AF	08	VAR - 337426, 337427, 337428, 391137, 758017 - TRANSMISSION HOUSING, POWERSHIFT
21.118.AF	09	VAR - 337427, 337429, 337430, 337431, 337432, 758018, 758019, 758020, 758021 - TRANSMISSION HOUSING, POWERSHIFT
21.118.AF	10	VAR - 337426, 337428, 337429, 337430, 337431, 337432, 391137, 758017, 758018, 758019, 758020, 758021 - TRANSMISSION HOUSING, POWERSHIFT
21.118.AF	11	VAR - 337426, 337427, 337428, 337429, 337430, 337431, 337432, 337433, 391137, 391138, 758017, 758018, 758019, 758020, 758021, 758022 - TRANSMISSION HOUSING
21.118.AJ	01	VAR - 758007 - TRANSMISSION OIL, HEATER (110V)
21.118.AJ	02	VAR - 758008 - TRANSMISSION OIL, HEATER (240V)
21.120.AB	01	VAR - 337426, 337427, 337428, 337429, 337430, 337431, 337432, 337433, 391137, 758017, 758018, 758019, 758020, 758021 - GEARBOX, POWERSHIFT
21.120.AB	02	VAR - 337426, 337428, 337429, 337430, 337431, 337432, 391137, 758017, 758018, 758019, 758020, 758021 - GEARBOX, POWERSHIFT
21.120.AB	03	VAR - 337426, 337428, 337429, 337430, 337431, 337432, 391137, 758017, 758018, 758019, 758020, 758021 - GEARBOX, POWERSHIFT
21.120.AB	07	VAR - 391130, 758000 - GEARBOX, PIN
21.135.AQ	01	VAR - 337426, 337428, 337429, 337430, 337431, 337432, 391137, 758017, 758018, 758019, 758020, 758021 - TRANSMISSION, CONTROL VALVE

TABLE OF CONTENTS

21.135.AQ	02	VAR - 337426, 337428, 337429, 337430, 337431, 337432, 391137, 758017 - TRANSMISSION, CONTROL VALVE
21.135.AQ	03	VAR - 337429, 337430, 337431, 337432, 758018, 758019, 758020, 758021 - TRANSMISSION, CONTROL VALVE
21.135.AQ	04	VAR - 337428, 337429, 337430, 337431, 337432, 758018, 758019, 758020, 758021 - TRANSMISSION 19X6, SAFETY VALVE, POWERSHIFT
21.135.AQ	05	VAR - 337427, 337428, 337429, 337430, 337431, 337432, 391137, 758017, 758018, 758019, 758020, 758021 - TRANSMISSION CONTROL VALVE, TUBE
21.148.AC	01	VAR - 337426, 337428, 391137, 758017 - CENTRAL REDUCTION GEAR, PINION SHAFT, POWERSHIFT
21.148.AC	02	VAR - 337429, 337430, 337431, 337432, 758018, 758019, 758020, 758021 - CENTRAL REDUCTION GEAR, PINION SHAFT, POWERSHIFT
21.148.AC	03	VAR - 337426, 337428, 337429, 337430, 337431, 337432, 391137, 758017, 758018, 758019, 758020, 758021 - CENTRAL REDUCTION GEAR, SHIM, POWERSHIFT
21.148.AC	04	VAR - 337426, 337428, 337429, 337430, 337431, 337432, 391137, 758017, 758018, 758019, 758020, 758021 - CENTRAL REDUCTION GEAR, SHIM, POWERSHIFT
21.148.AC	08	VAR - 337431 - BEVEL PINION, COUPLING
21.155.AA	01	VAR - 337426, 337428, 337429, 337430, 337431, 337432, 391137, 758017, 758018, 758019, 758020, 758021 - TRANSMISSION, FRONT COVER, MANIFOLD
21.155.AA	02	VAR - 337426, 337428, 337429, 337430, 337431, 337432, 391137, 758017, 758018, 758019, 758020, 758021 - TRANSMISSION, CLUTCH
21.155.AA	03	VAR - 337426, 337428, 337429, 337430, 337431, 337432, 391137, 758017, 758018, 758019, 758020, 758021 - TRANSMISSION, CLUTCH
21.155.AA	04	VAR - 337426, 337428, 337429, 337430, 337431, 337432, 391137, 758017, 758018, 758019, 758020, 758021 - TRANSMISSION, DRIVE SHAFT, UPPER
21.155.AA	05	VAR - 337426, 337428, 337429, 337430, 337431, 337432, 391137, 758017, 758018, 758019, 758020, 758021 - TRANSMISSION, DRIVEN SHAFT, CLUTCH
21.155.AA	06	VAR - 337426, 337428, 337429, 337430, 337431, 337432, 391137, 758017, 758018, 758019, 758020, 758021 - TRANSMISSION, CLUTCH
21.155.AA	07	VAR - 337426, 337428, 337429, 337430, 337431, 337432, 391137, 758017, 758018, 758019, 758020, 758021 - TRANSMISSION, GEAR
21.155.AA	08	VAR - 337426, 337428, 337429, 337430, 391137, 758017, 758018, 758019, 758020, 758021 - TRANSMISSION, SHIM
21.155.AA	09	VAR - 337426, 337428, 337429, 337430, 337431, 337432, 391137, 758017, 758018, 758019, 758020, 758021 - TRANSMISSION, SHIM
21.155.AA	10	VAR - 337426, 337428, 337429, 337430, 337431, 337432, 391137, 758017, 758018, 758019, 758020, 758021 - CENTRAL REDUCTION GEAR, RANGE GEAR
21.155.AA	11	VAR - 337426, 337428, 337429, 337430, 337431, 337432, 391137, 758017, 758018, 758019, 758020, 758021 - CENTRAL REDUCTION GEAR, SHIM
21.155.AA	12	VAR - 337426, 337428, 337429, 337430, 337431, 337432, 391137, 758017, 758018, 758019, 758020, 758021 - CENTRAL REDUCTION GEAR, SHIM
21.155.AA	13	VAR - 337426, 337428, 337429, 337430, 337431, 337432, 391137, 758017, 758018, 758019, 758020, 758021 - CENTRAL REDUCTION GEAR, CLUTCH
21.155.AA	14	VAR - 337426, 337428, 337429, 337430, 337431, 337432, 391137, 758017, 758018, 758019, 758020, 758021 - CENTRAL REDUCTION GEAR, CLUTCH
21.155.AA	15	VAR - 337426, 337428, 337429, 337430, 337431, 337432, 391137, 758017, 758018, 758019, 758020, 758021 - CENTRAL REDUCTION GEAR, SHIM
21.155.AA	16	VAR - 337426, 337428, 337429, 337430, 337431, 337432, 391137, 758017, 758018, 758019, 758020, 758021 - CENTRAL REDUCTION GEAR, CLUTCH, GEAR, REVERSER
21.155.AA	17	VAR - 337426, 337428, 337429, 337430, 337431, 337432, 391137, 758017, 758018, 758019, 758020, 758021 - CENTRAL REDUCTION GEAR, CLUTCH, REVERSER
21.155.AA	18	VAR - 337429, 337430, 337431, 337432, 758018, 758019, 758020, 758021 - TRANSMISSION 19X6, CLUTCH, MANIFOLD, POWERSHIFT
21.155.AA	19	VAR - 337429, 337430, 337431, 337432, 758018, 758019, 758020, 758021 - TRANSMISSION 19X6, CLUTCH, 19 GEAR, POWERSHIFT
21.155.AN	01	VAR - 337427, 337428, 337429, 337430, 337431, 337432, 391137, 758017, 758018, 758019, 758020, 758021 - TRANSMISSION, PTO, INPUT SHAFT
21.160.AK		VAR - 337428, 337430, 337432, 758017, 758019, 758021 - CREEPER, CONTROL LEVER
21.160.AL		VAR - 337426, 337428, 337429, 337430, 337432, 758017, 758019, 758021 - CREEPER, GEAR

TABLE OF CONTENTS

21.160.AP		VAR - 337428, 337430, 337432, 758017, 758019, 758021 - CREEPER, CONTROL VALVE
21.182.AF	01	VAR - 337426, 337427, 337428, 337429, 337430, 337431, 337432, 337433, 391137, 391138, 758017, 758018, 758019, 758020, 758021, 758022 - TRANSMISSION
21.182.AF	02	VAR - 337426, 337427, 337428, 337429, 337430, 337431, 337432, 337433, 391137, 391138, 758017, 758018, 758019, 758020, 758021, 758022 - TRANSMISSION
21.506.AI	01	VAR - 337426, 337428, 337429, 337430, 337431, 337432, 391137, 758017, 758018, 758019, 758020, 758021 - TRANSMISSION, INLINE
21.507.AD	09	VAR - 337427, 337433, 391138, 758022 - TRANSMISSION, HYDROSTATIC PUMP
21.507.AD	11	VAR - 337427, 337433, 391138, 758022 - TRANSMISSION, HYDROSTATIC PUMP, PLUG
21.507.AD	12	VAR - 337427, 337433, 391138, 758022 - TRANSMISSION, HYDROSTATIC PUMP, COVER
21.900.AA	01	VAR - 391161, 758056 - HYDRAULIC PUMP, DRIVEN GEAR, POWERSHIFT
21.900.AA	02	VAR - 391161, 758056 - HYDRAULIC PUMP, DRIVEN GEAR, SHIM
23.314.AB	07	VAR - 391157 - 4WD ENGAGEMENT CLUTCH CONTROL - SPLINED HUB
23.314.AB	08	VAR. - 758048, 758049 - 4WD ENGAGEMENT CLUTCH CONTROL - SPLINED HUB
23.314.AF	02	VAR - 758048, 758049 - SHAFT, SUPPORT
23.314.AF	04	VAR - 391157 - SHAFT, SUPPORT
23.314.AF	06	VAR - 758050 - SHAFT, SUPPORT
23.314.AH	01	VAR - 758050 - 4WD FRONT AXLE, DRIVE SHAFT
25.000.00	01	SECTION INDEX - FRONT AXLE SYSTEM
25.000.00	02	SECTION INDEX - FRONT AXLE SYSTEM
25.000.00	03	SECTION INDEX - FRONT AXLE SYSTEM
25.000.00	04	SECTION INDEX - FRONT AXLE SYSTEM
25.000.00	05	SECTION INDEX - FRONT AXLE SYSTEM
25.100.AA	01	VAR - 391157 - 4WD FRONT AXLE
25.100.AA	02	VAR - 758048 - FRONT AXLE, SUSPENDED
25.100.AA	03	VAR - 758049 - FRONT AXLE, SUSPENDED W/BRAKES
25.100.AA	04	VAR - 758050 - SUPERSTEER FRONT AXLE
25.100.AD	01	VAR - 391157 - 4WD FRONT AXLE, HOUSING
25.100.AD	02	VAR - 758048 - FRONT AXLE, SUSPENDED, HOUSING
25.100.AD	03	VAR - 758049 - FRONT AXLE, SUSPENDED W/BRAKES, HOUSING
25.100.AD	04	VAR - 758050 - SUPERSTEER FRONT AXLE, HOUSING
25.100.AD	07	VAR - 391157 - 4WD FRONT AXLE, HOUSING
25.100.AD	08	VAR - 758048 - SUSPENDED FRONT AXLE, HOUSING
25.100.AD	09	VAR - 758049 - SUSPENDED FRONT AXLE, W/ FRONT BRAKES, HOUSING
25.100.AD	10	VAR - 758050 - SUPERSTEER FRONT AXLE, HOUSING
25.100.AI	01	VAR - 758050 - SUPERSTEER FRONT AXLE, ARTICULATION, SUPPORT
25.100.AI	02	VAR - 758050 - SUPERSTEER FRONT AXLE , AXLE ARTICULATION SUPPORT
25.100.AV	01	VAR - 391157 - FRONT AXLE SUPPORT, AXLE, STANDARD

TABLE OF CONTENTS

25.100.AV	02	VAR - 758048, 758049 - FRONT AXLE SUPPORT, AXLE, SUSPENSION
25.100.AV	03	VAR - 758050 - FRONT AXLE SUPPORT, SUPERSTEER FRONT AXLE
25.100.AV	04	VAR - 391172 - FRONT AXLE SUPPORT
25.100.AV	05	VAR - 391157 - FRONT AXLE SUPPORT, TRUNNION
25.100.AV	06	VAR - 758050 - FRONT AXLE SUPPORT, TRUNNION
25.100.AV	07	VAR - 758048, 758049 - FRONT AXLE, SUSPENDED, SUPPORT
25.100.BL	01	VAR - 758048, 758049 - FRONT AXLE, SUSPENDED, ARM
25.100.BL	02	VAR - 758048, 758049 - FRONT AXLE, SUSPENDED, ARM, COMPONENTS
25.100.BL	04	VAR - 337416 - SUSPENDED FRONT AXLE, ARM, COMPONENTS
25.102.AB	01	VAR - 391157 - 4WD FRONT AXLE, BEVEL PINION
25.102.AB	02	VAR - 758048 - FRONT AXLE, SUSPENDED, BEVEL PINION
25.102.AB	03	VAR - 758049 - FRONT AXLE, SUSPENDED W/BRAKES, BEVEL PINION
25.102.AB	04	VAR - 758050 - SUPERSTEER FRONT AXLE, BEVEL PINION
25.102.AB	06	VAR - 391157 - 4WD FRONT AXLE, DIFFERENTIAL, BEVEL PINION
25.102.AB	07	VAR - 758048, 758049 - SUSPENDED FRONT AXLE, DIFFERENTIAL, BEVEL PINION
25.102.AB	08	SUPERSTEER FRONT AXLE, DIFFERENTIAL, BEVEL PINION
25.102.AC	01	VAR - 391157 - 4WD FRONT AXLE, DIFFERENTIAL CARRIER
25.102.AC	02	VAR - 758048 - FRONT AXLE, SUSPENDED, DIFFERENTIAL CARRIER
25.102.AC	03	VAR - 758049 - FRONT AXLE, SUSPENDED W/BRAKES, DIFFERENTIAL CARRIER
25.102.AC	04	VAR - 758050 - SUPERSTEER FRONT AXLE, DIFFERENTIAL CARRIER
25.102.AC	05	VAR - 758050 - SUPERSTEER FRONT AXLE, DIFFERENTIAL CARRIER
25.102.AC	07	VAR - 391157 - 4WD FRONT AXLE, DIFFERENTIAL, DIFFERENTIAL CARRIER
25.102.AC	08	VAR - 758048, 758049 - SUSPENDED FRONT AXLE, DIFFERENTIAL, DIFFERENTIAL CARRIER
25.102.AC	09	VAR - 758050 - SUPERSTEER FRONT AXLE, DIFFERENTIAL, DIFFERENTIAL CARRIER
25.102.AC	10	VAR - 758050 - SUPERSTEER FRONT AXLE, DIFFERENTIAL, DIFFERENTIAL CARRIER, PIPE
25.102.AD	01	VAR - 391157 - 4WD FRONT AXLE, DIFFERENTIAL
25.102.AD	02	VAR - 758048 - FRONT AXLE, SUSPENDED, DIFFERENTIAL
25.102.AD	03	VAR - 758049 - FRONT AXLE, SUSPENDED W/BRAKES, DIFFERENTIAL
25.102.AD	04	VAR - 758050 - SUPERSTEER FRONT AXLE, DIFFERENTIAL
25.102.AD	06	VAR - 391157 - 4WD FRONT AXLE, DIFFERENTIAL
25.102.AD	07	VAR - 391157 - 4WD FRONT AXLE, DIFFERENTIAL, HOUSING
25.102.AD	08	VAR - 758048 - SUSPENDED FRONT AXLE, DIFFERENTIAL
25.102.AD	09	VAR - 758048, 758049 - SUSPENDED FRONT AXLE, DIFFERENTIAL, HOUSING
25.102.AD	10	VAR - 758049 - SUSPENDED FRONT AXLE, W/ FRONT BRAKES, DIFFERENTIAL, HOUSING
25.102.AD	11	VAR - 758050 - SUPERSTEER FRONT AXLE, DIFFERENTIAL
25.102.AD	12	VAR - 758050 - SUPERSTEER FRONT AXLE, DIFFERENTIAL, HOUSING

TABLE OF CONTENTS

25.102.AS	01	VAR - 391157 - 4WD FRONT AXLE, DIFFERENTIAL LOCK
25.102.AS	02	VAR - 758048 - FRONT AXLE, SUSPENDED, DIFFERENTIAL LOCK
25.102.AS	03	VAR - 758049 - FRONT AXLE, SUSPENDED W/BRAKES, DIFFERENTIAL LOCK
25.102.AS	04	VAR - 758050 - SUPERSTEER FRONT AXLE, DIFFERENTIAL LOCK
25.102.AS	06	VAR - 391157 - 4WD FRONT AXLE, DIFFERENTIAL, DIFFERENTIAL LOCK
25.102.AS	07	VAR - 758048, 758049 - SUSPENDED FRONT AXLE, DIFFERENTIAL, DIFFERENTIAL LOCK
25.102.AS	08	VAR - 758050 - SUPERSTEER FRONT AXLE, DIFFERENTIAL, DIFFERENTIAL LOCK
25.102.AT	01	VAR - 391157 - 4WD FRONT AXLE, DIFFERENTIAL LOCK, LINE
25.102.AT	03	VAR - 758048, 758049 - FRONT AXLE, SUSPENDED, DIFFERENTIAL LOCK, LINE
25.102.AT	05	VAR - 758050 - SUPERSTEER FRONT AXLE, DIFFERENTIAL LOCK, LINE
25.108.AA	01	VAR - 391157 - 4WD FRONT AXLE, SHAFT
25.108.AA	02	VAR - 758048 - FRONT AXLE, SUSPENDED, SHAFT
25.108.AA	03	VAR - 758049 - FRONT AXLE, SUSPENDED W/BRAKES, SHAFT
25.108.AA	04	VAR - 758050 - SUPERSTEER FRONT AXLE, SHAFT
25.108.AA	05	VAR - 337416 - 4WD FRONT AXLE, SHAFT
25.108.AA	06	VAR - 337416 - FRONT AXLE, SHAFT
25.108.AA	06	VAR - 391157 - 4WD FRONT AXLE, SHAFT
25.108.AA	07	VAR - 758048 - SUSPENDED FRONT AXLE, SHAFT
25.108.AA	08	VAR - 758049 - SUSPENDED FRONT AXLE, W/ FRONT BRAKES, SHAFT
25.108.AA	09	VAR - 758050 - SUPERSTEER FRONT AXLE, SHAFT
25.108.AB	01	VAR - 391157 - 4WD FRONT AXLE, PLANETARY GEAR
25.108.AB	02	VAR - 758048 - SUSPENDED FRONT AXLE, PLANETARY GEAR
25.108.AB	03	VAR - 758049 - SUSPENDED FRONT AXLE, W/ FRONT BRAKES, PLANETARY GEAR
25.108.AB	04	VAR - 758050 - SUPERSTEER FRONT AXLE, PLANETARY GEAR
25.108.AB	11	VAR - 391157 - 4WD FRONT AXLE, PLANETARY GEAR
25.108.AB	12	VAR - 758048 - FRONT AXLE, SUSPENDED, PLANETARY GEAR
25.108.AB	13	VAR - 758049 - FRONT AXLE, SUSPENDED W/BRAKES, PLANETARY GEAR
25.108.AB	14	VAR - 758050 - SUPERSTEER FRONT AXLE, PLANETARY GEAR
25.108.AC	01	VAR - 391157 - 4WD FRONT AXLE, FINAL DRIVE
25.108.AC	02	VAR - 758048 - FRONT AXLE, SUSPENDED, FINAL DRIVE
25.108.AC	03	VAR - 758049 - FRONT AXLE, SUSPENDED W/BRAKES, FINAL DRIVE
25.108.AC	04	VAR - 758050 - SUPERSTEER FRONT AXLE, FINAL DRIVE
25.108.AC	06	VAR - 391157, 758048 - 4WD FRONT AXLE, STEERING KNUCKLE, RH, FINAL DRIVE
25.108.AC	07	VAR - 391157, 758048 - 4WD FRONT AXLE, STEERING KNUCKLE, LH, FINAL DRIVE
25.108.AC	08	VAR - 758049 - SUSPENDED FRONT AXLE, W/ FRONT BRAKES, FINAL DRIVE
25.108.AC	09	VAR - 758050 - SUPERSTEER FRONT AXLE, FINAL DRIVE

TABLE OF CONTENTS

25.108.AG	01	VAR - 391157 - 4WD FRONT AXLE, STEERING KNUCKLE, RH
25.108.AG	02	VAR - 391157 - 4WD FRONT AXLE, STEERING KNUCKLE, LH
25.108.AG	03	VAR - 758048 - FRONT AXLE, SUSPENDED, STEERING KNUCKLE, RH
25.108.AG	04	VAR - 758048 - FRONT AXLE, SUSPENDED, STEERING KNUCKLE, LH
25.108.AG	05	VAR - 758049 - FRONT AXLE, SUSPENDED W/BRAKES, STEERING KNUCKLE, RH
25.108.AG	06	VAR - 758049 - FRONT AXLE, SUSPENDED W/BRAKES, STEERING KNUCKLE, LH
25.108.AG	07	VAR - 758050 - SUPERSTEER FRONT AXLE, STEERING KNUCKLE, RH
25.108.AG	08	VAR - 758050 - SUPERSTEER FRONT AXLE, STEERING KNUCKLE, LH
25.108.AG	11	VAR - 391157 - 4WD FRONT AXLE, STEERING KNUCKLE, RH
25.108.AG	12	VAR - 391157 - 4WD FRONT AXLE, STEERING KNUCKLE, LH
25.108.AG	13	VAR - 758048 - SUSPENDED FRONT AXLE, STEERING KNUCKLE, RH
25.108.AG	14	VAR - 758048 - SUSPENDED FRONT AXLE, STEERING KNUCKLE, LH
25.108.AG	15	VAR - 758049 - SUSPENDED FRONT AXLE, W/ FRONT BRAKES, STEERING KNUCKLE, RH
25.108.AG	16	VAR - 758049 - SUSPENDED FRONT AXLE, W/ FRONT BRAKES, STEERING KNUCKLE, LH
25.108.AG	17	VAR - 758050 - SUPERSTEER FRONT AXLE, STEERING KNUCKLE, LH
25.108.AG	18	VAR - 758050 - SUPERSTEER FRONT AXLE, STEERING KNUCKLE, RH
25.108.AN	01	VAR - 391157 - 4WD FRONT AXLE, WHEEL, HUB
25.108.AN	02	VAR - 758048 - FRONT AXLE, SUSPENSION, WHEEL, HUB
25.108.AN	03	VAR - 758049 - FRONT AXLE, SUSPENSION W/BRAKES, WHEEL, HUB
25.108.AN	04	VAR - 758050 - SUPERSTEER FRONT AXLE, WHEEL, HUB
25.108.AN	06	VAR - 391157, 758048 - 4WD FRONT AXLE, STEERING KNUCKLE, RH, WHEEL, HUB
25.108.AN	07	VAR - 391157, 758048 - 4WD FRONT AXLE, STEERING KNUCKLE, LH, WHEEL, HUB
25.108.AN	08	VAR - 758049 - SUSPENDED FRONT AXLE, W/ FRONT BRAKES, WHEEL, HUB
25.108.AN	09	VAR - 758050 - SUPERSTEER FRONT AXLE, WHEEL, HUB
25.122.AA		VAR - 758048, 758049 - FRONT AXLE, SUSPENDED, ACCUMULATOR
25.122.AB	01	VAR - 758048, 758049 - FRONT AXLE, SUSPENDED, CYLINDER
25.122.AB	02	VAR - 758048, 758049 - FRONT AXLE, SUSPENDED, CYLINDER, COMPONENTS
25.122.AB	03	VAR - 758048, 758049 - FRONT AXLE, SUSPENDED, CYLINDER, COMPONENTS
25.122.AB	04	VAR - 758048, 758049 - FRONT AXLE, SUSPENDED, CYLINDER, COMPONENTS
25.122.AD	01	VAR - 337416, 758064, 758065, 758066 - FRONT AXLE, SUSPENDED, CONTROL VALVE, LINE, POWERSHIFT
25.122.AD	02	VAR - 758048, 758049 - FRONT AXLE, SUSPENDED, CYLINDER, LINE
25.122.AL	01	VAR - 758048, 758049 - FRONT AXLE, SUSPENDED, CONTROL VALVE, POWERSHIFT
25.122.AL	02	VAR - 758048, 758049 - FRONT AXLE, SUSPENDED, CONTROL VALVE, COMPONENTS, POWERSHIFT
27.000.00		SECTION INDEX - REAR AXLE SYSTEM
27.100.AB	01	VAR - 337426, 337427, 337428, 337429, 337430, 337431, 337432, 391137, 758017, 758018, 758019, 758020, 758021 - TRANSMISSION, SUPPORT, POWERSHIFT

TABLE OF CONTENTS

27.120.AF	02	VAR - 337417, 337419, 337424, 337425 - FINAL DRIVE, GEAR
27.120.AF	03	FINAL DRIVE, GEAR, BAR AXLE
27.120.AF	03	VAR - 337417, 337418, 337419, 337421, 337424, 337425 - FINAL DRIVE, GEAR
27.120.AF	04	FINAL DRIVE, GEAR, BAR AXLE
27.120.AF	05	VAR - 391158, 391159, 758052, 758053, 758054, 758162 - FINAL DRIVE, GEAR, FLANGE AXLE
27.120.AF	10	VAR - 391158 - REAR AXLE, FINAL DRIVE, SHAFT, PLANETARY GEAR
27.120.AF	11	VAR - 758054 - REAR AXLE, FINAL DRIVE, SHAFT, PLANETARY GEAR, 119 INCH
27.120.AF	12	VAR - 758053 - REAR AXLE, FINAL DRIVE, SHAFT, PLANETARY GEAR, 112 INCH
27.120.AI	01	VAR - 391158, 391159, 758052, 758053, 758054 - FINAL DRIVE HOUSING, POWERSHIFT
27.120.AI	05	VAR - 337417, 337418, 337419, 337420, 337421, 337422, 337423, 337424, 337425 - FINAL DRIVE HOUSING
31.000.00	01	SECTION INDEX - IMPLEMENT POWER TAKE OFF
31.000.00	02	SECTION INDEX - IMPLEMENT POWER TAKE OFF
31.000.00	03	SECTION INDEX - IMPLEMENT POWER TAKE OFF
31.000.00	04	SECTION INDEX - IMPLEMENT POWER TAKE OFF
31.000.00	05	SECTION INDEX - IMPLEMENT POWER TAKE OFF
31.000.00	06	SECTION INDEX - IMPLEMENT POWER TAKE-OFF
31.101.AC	01	VAR - 391141 - PTO 540E/1000 RPM, CONTROL LEVER
31.101.AC	02	VAR - 758025, 758029 - PTO 1000/1000E RPM, CONTROL LEVER
31.104.AR	01	VAR - 337426, 337428, 337429, 391145, 758028, 758030, 758031, 758032 - PTO, CONTROL VALVE
31.104.AR	02	VAR - 337426, 337427, 337428, 337429, 337430, 337431, 391145, 758028, 758030, 758031, 758032 - PTO, CONTROL VALVE, COMPONENTS
31.104.AR	03	VAR - 337428, 337430, 337432, 758017, 758019, 758021 - PTO, CONTROL VALVE
31.104.AR	04	VAR - 337428, 337430, 337432, 758017, 758019, 758021 - PTO, CONTROL VALVE, COMPONENTS
31.104.AR	05	VAR - 337426, 337429, 337431 - PTO, CONTROL VALVE
31.114.AB	01	VAR - 391141, 758028 - PTO 540E/1000 RPM, DRIVEN SHAFT
31.114.AB	02	VAR - 391145, 758025, 758029 - PTO 1000/1000E RPM, DRIVEN SHAFT
31.114.AB	03	VAR - 758031 - PTO 540/1000 RPM, DRIVEN SHAFT
31.114.AB	05	VAR - 758032 - PTO 540E/1000 RPM, INTERCHANGE SHAFT, DRIVEN SHAFT
31.114.AD	01	VAR - 391145, 758028, 758031, 758032 - PTO, DRIVE SHAFT, FRONT
31.114.AD	02	VAR - 391141, 758025, 758029 - PTO, DRIVE SHAFT, FRONT
31.114.AD	03	VAR - 391141, 391145, 758025, 758028, 758029, 758031, 758032 - PTO, DRIVE SHAFT, COMPONENTS
31.114.AF	01	VAR - 391141, 391145, 758025, 758028, 758029, 758030, 758031, 758032 - PTO, OUTPUT SHAFT
31.114.AH	01	VAR - 391141, 758028 - PTO 540E/1000 RPM, HOUSING
31.114.AH	02	VAR - 391145, 758025, 758029 - PTO 1000/1000E RPM, HOUSING
31.114.AH	03	VAR - 758031 - PTO 540/1000 RPM, HOUSING
31.114.AH	05	VAR - 758032 - PTO 540E/1000 RPM, INTERCHANGE SHAFT, HOUSING
31.114.AH	06	VAR - 391141, 391145, 758025, 758028, 758031, 758032 - PTO, HOUSING

TABLE OF CONTENTS

31.114.AH	07	VAR - 391141, 391145, 758025, 758028, 758031, 758032 - PTO, HOUSING, LEVEL, OIL
31.114.AH	08	VAR - 391173 - PTO, HOUSING & COVERS
31.114.AH	09	VAR - 758100, 758101, 758102, 758103 - PTO, HOUSING & COVERS
31.114.AH	10	VAR - 758105, 758106, 758107, 758108, 758109, 758110 - PTO, HOUSING & COVERS
31.114.AH	11	VAR - 758111, 758112, 758113 - PTO, HOUSING & COVERS
31.114.AI	01	VAR - 391145, 758028, 758031, 758032 - PTO, CLUTCH
31.114.AI	02	VAR - 391141, 758025, 758029 - PTO, CLUTCH
31.114.AJ	01	VAR - 391145, 758028, 758031, 758032 - PTO, BRAKE
31.114.AJ	02	VAR - 391141, 758025, 758029 - PTO, BRAKE
31.114.AO	01	VAR - 391141, 758028 - PTO 540E/1000 RPM, SELECTOR
31.114.AO	02	VAR - 391145, 758025, 758029 - PTO 1000/1000E RPM, SELECTOR
31.114.AO	03	VAR - 758031 - PTO 540/1000 RPM, SELECTOR
31.114.AO	05	VAR - 758032 - PTO 540E/1000 RPM, INTERCHANGE SHAFT, SELECTOR
31.114.AP	01	VAR - 391145, 758028, 758031, 758032 - PTO, SHAFT, REAR
31.114.AP	02	VAR - 391137, 758017 - PTO, SHAFT, REAR
31.114.AP	03	VAR - 337426, 337428, 337429, 337430, 337431, 337432, 391137, 758017, 758018, 758019, 758020, 758021 - PTO 540/540E/1000/1000E, SPEED, WHEEL
31.114.AP	03	VAR - 758018, 758019, 758020, 758021, 758032 - PTO, SHAFT, REAR
31.119.AB	01	VAR - 758030 - PTO 540/540E/1000/1000E RPM, DRIVEN SHAFT
31.119.AB	02	VAR - 758030 - PTO 540/540E/1000/1000E RPM, DRIVEN SHAFT
31.119.AB	03	VAR - 758030 - PTO 540/540E/1000/1000E RPM, DRIVEN SHAFT, SHIM
31.119.AD	01	VAR - 758030 - PTO 540/540E/1000/1000E DRIVE SHAFT, FRONT
31.119.AD	02	VAR - 758030 - PTO 540/540E/1000/1000E DRIVE SHAFT, FRONT, COMPONENTS
31.119.AH	01	VAR - 758030 - PTO 540/540E/1000/1000E RPM, HOUSING
31.119.AH	02	VAR - 758030 - PTO 540/540E/1000/1000E RPM, HOUSING
31.119.AH	03	VAR - 758030 - PTO 540/540E/1000/1000E RPM, HOUSING, LEVEL, OIL
31.119.AI	01	VAR - 758030 - PTO 540/540E/1000/1000E RPM, CLUTCH
31.119.AJ	01	VAR - 758030 - PTO 540/540E/1000/1000E RPM, BRAKE
31.119.AK	01	VAR - 758030 - PTO 540/540E/1000/1000E RPM, MANIFOLD
31.119.AK	02	VAR - 758030 - PTO 540/540E/1000/1000E RPM, MANIFOLD, COMPONENTS
31.119.AO	01	VAR - 758030 - PTO 540/540E/1000/1000E RPM, SELECTOR
31.119.AP	01	VAR - 758030 - PTO 540/540E/1000/1000E RPM, SHAFT, REAR
31.119.AP	02	VAR - 337426, 337428, 337429, 337430, 337431, 337432, 391137, 758017, 758018, 758019, 758020, 758021 - PTO 540/540E/1000/1000E, SPEED, WHEEL
31.146.AA	01	VAR - 758091, 758093, 758245, 758247 - 3 POINT HITCH, FRONT, W/ PTO, PTO, DRIVE SHAFT - END YR 01-SEP-2014
31.146.AA	01A	VAR - 758091, 758093, 758245, 758247 - 3 POINT HITCH, FRONT, W/ PTO, PTO, DRIVE SHAFT - BEGIN YR 02-SEP-2014
31.146.AC	01	VAR - 758091, 758093, 758245, 758247 - 3 POINT HITCH, FRONT, W/ PTO, PTO, HOUSING - END YR 01-SEP-2014

TABLE OF CONTENTS

31.146.AC	02	VAR - 758091, 758093, 758245, 758247 - 3 POINT HITCH, FRONT, W/ PTO, PTO - BEGIN YR 02-SEP-2014
31.146.AC	03	VAR - 758091, 758093, 758245, 758247 - 3 POINT HITCH, FRONT, W/ PTO, PTO, HOUSING - BEGIN YR 02-SEP-2014
31.146.AC	04	VAR - 758091, 758093, 758245, 758247 - 3 POINT HITCH, FRONT, W/ PTO, PTO, HOUSING, COMPONENTS - BEGIN YR 02-SEP-2014
31.146.AE	01	VAR - 758091, 758093, 758245, 758247 - 3 POINT HITCH, FRONT, W/ PTO, PTO, CLUTCH - END YR 01-SEP-2014
31.146.AE	01A	VAR - 758091, 758093, 758245, 758247 - 3 POINT HITCH, FRONT, W/ PTO, PTO, CLUTCH - BEGIN YR 02-SEP-2014
31.146.AH	01	VAR - 758091, 758093, 758245, 758247 - 3 POINT HITCH, FRONT, W/ PTO, PTO, COUPLING - END YR 01-SEP-2014
31.146.AL	01	VAR - 758091, 758093, 758245, 758247 - 3 POINT HITCH, FRONT, W/ PTO, PTO, OUTPUT SHAFT, COVER - END YR 01-SEP-2014
31.146.AL	01A	VAR - 758091, 758093, 758245, 758247 - 3 POINT HITCH, FRONT, W/ PTO, PTO, OUTPUT SHAFT, COVER - BEGIN YR 02-SEP-2014
31.146.AT	01	VAR - 758091, 758093, 758245, 758247 - 3 POINT HITCH, FRONT, W/ PTO, PTO, GEARBOX - END YR 01-SEP-2014
31.146.AT	01A	VAR - 758091, 758093, 758245, 758247 - 3 POINT HITCH, FRONT, W/ PTO, PTO, GEARBOX - BEGIN YR 02-SEP-2014
33.000.00	01	SECTION INDEX - BRAKES & CONTROLS
33.000.00	02	SECTION INDEX - BRAKES & CONTROLS
33.000.00	03	SECTION INDEX - BRAKES & CONTROLS
33.000.00	04	SECTION INDEX - BRAKES & CONTROLS
33.110.AJ	01	VAR - 391147 - HAND BRAKE, LEVER
33.110.AJ	02	VAR - 391147 - HAND BRAKE, LEVER , COMPONENTS
33.110.AJ	03	VAR - 391148, 758034 - HAND BRAKE, LEVER
33.110.AJ	04	VAR - 391148, 758034 - HAND BRAKE, LEVER , COMPONENTS
33.110.AJ	05	VAR - 758240 - HAND BRAKE, TRAILER, BRACKET, ITALY
33.110.AV	01	VAR - 391147 - PARKING BRAKE, DISC
33.110.AV	03	VAR - 758034 - PARKING BRAKE, DISC
33.110.AZ	01	VAR - 391147 - PARKING BRAKE, HOUSING
33.110.AZ	03	VAR - 758034 - PARKING BRAKE, HOUSING
33.110.BA	01	VAR - 391147 - PARKING BRAKE, LEVER
33.110.BA	03	VAR - 758034 - PARKING BRAKE, LEVER
33.202.AA		VAR - 391208, 758186, 758187, 758266, 758267, 758268, 758269, 758278 - BRAKE BOOSTER, ACCUMULATOR, AUTOGUIDANCE SYSTEM
33.202.AK	01	VAR - 391224 - TRANSMISSION, BRAKE DISC
33.202.AK	03	VAR - 758204 - TRANSMISSION, BRAKE DISC
33.202.AP	01	VAR - 337434, 337437, 337438, 337466, 391208, 758186, 758187, 758266, 758267, 758268, 758269, 758278 - BRAKE LINE, POWERSHIFT
33.202.AP	03	VAR - 337481, 337484, 337488, 391155, 758038, 758041, 758043, 758046 - BRAKE LINE, POWERSHIFT
33.202.AP	03	VAR - 391155, 758038, 758041, 758043, 758046 - BRAKE LINE, CVT
33.202.AP	03	VAR - 391155, 758038, 758041, 758043, 758046 - BRAKE LINE, POWERSHIFT
33.202.AP	04	VAR - 337481, 337482, 337484, 337487, 337488, 337491, 391155, 758037, 758038, 758039, 758040, 758041, 758042, 758043, 758044, 758046 - TRAILER BRAKE, LINE
33.202.AP	04	VAR - 391155, 758037, 758038, 758039, 758040, 758041, 758042, 758043, 758044, 758046 - TRAILER BRAKE, LINE

TABLE OF CONTENTS

33.202.AP	05	VAR - 758037, 758038, 758039, 758041, 758044, 758046 - BRAKE LINE, POWERSHIFT
33.202.AP	07	VAR - 758038, 758040, 758041, 758042, 758043, 758046 - BRAKE LINE, POWERSHIFT
33.202.AP	11	VAR - 337487 - BRAKE LINE, POWERSHIFT
33.202.AR		VAR - 391208, 758266, 758267, 758268, 758269, 758278 - BRAKE CYLINDER
33.202.BN	01	VAR - 337434, 337437, 337438, 337466, 391208, 758266, 758267, 758268, 758269 - PARKING BRAKE
33.202.BN	02	VAR - 391208, 758186, 758187, 758278 - PARKING BRAKE
33.202.BO	01	VAR - 391208, 758266, 758267, 758268, 758269, 758278 - BRAKE LINE
33.202.BO	03	VAR - 391208, 758186, 758187, 758266, 758267, 758268, 758269, 758278 - BRAKE LINE, POWERSHIFT
33.202.BO	04	VAR - 391208, 758186, 758187, 758266, 758267, 758268, 758269, 758278 - BRAKE LINE, AUTOGUIDANCE SYSTEM
33.204.AB	01	VAR - 758049 - FRONT AXLE, SUSPENDED, BLEED SCREW
33.204.AB	03	VAR - 758049 - SUSPENDED FRONT AXLE, W/ FRONT BRAKES, BLEED SCREW
33.204.AD	01	VAR - 758049 - FRONT AXLE, SUSPENDED, BRAKES
33.204.AD	03	VAR - 758049 - SUSPENDED FRONT AXLE, W/ FRONT BRAKES, BRAKES
33.204.AG	01	VAR - 758049 - FRONT AXLE, BRAKE LINE
33.204.AG	02	VAR - 337416 - FRONT AXLE, BRAKE LINE
33.204.AG	02	VAR - 758048 - FRONT, BRAKE LINE
33.204.AG	02	VAR - 758049 - FRONT, BRAKE LINE
33.204.AG	03	VAR - 758049 - FRONT, BRAKE LINE
33.204.AG	05	VAR - 758049 - SUSPENDED FRONT AXLE, W/ FRONT BRAKES, BRAKE LINE
33.220.AC		VAR - 337482, 337491 - HYDRAULIC AND PNEUMATIC TRAILER BRAKE, LINE, ANTILOCK BRAKING SYSTEM (ABS), UK
33.220.AM	02	VAR - 337487, 758040, 758042 - TRAILER BRAKE VALVE, COMPONENTS
33.220.AM	02	VAR. 758040, 758042 - TRAILER BRAKE VALVE, COMPONENTS
33.224.AC		VAR - 758038, 758039, 758041, 758042, 758043, 758044 - PNEUMATIC TRAILER BRAKE, AIR TANK, LINE
33.224.AF		VAR - 758038, 758039, 758041, 758042, 758043, 758044 - PNEUMATIC TRAILER BRAKE, AIR TANK
33.224.AG		VAR - 758038, 758039, 758041, 758042, 758043, 758044 - PNEUMATIC TRAILER BRAKE, AIR DRYER
33.224.AH	01	VAR - 337481, 337482, 337484, 337487, 337488, 337491 - TRAILER, BRAKE, COMPRESSOR
33.224.AH	02	VAR - 758038, 758039, 758041, 758042, 758043, 758044 - TRAILER BRAKE, COMPRESSOR
33.224.AJ	01	VAR - 758038, 758039, 758041, 758042, 758043, 758044 - TRAILER BRAKE, COMPRESSOR, INLINE
33.224.AJ	02	VAR - 337481, 337484, 337487, 337488, 337491, 758038, 758039, 758041, 758042, 758043, 758044 - TRAILER BRAKE, COMPRESSOR, DRAIN LINE
33.224.AJ	02	VAR - 758038, 758039, 758041, 758042, 758043, 758044 - TRAILER BRAKE, COMPRESSOR, DRAIN LINE
33.224.AJ	03	VAR - 758038, 758039, 758041, 758042, 758043, 758044 - TRAILER BRAKE, COMPRESSOR, INLINE
33.224.AJ	04	VAR - 337481, 337482, 337484, 337487, 337488, 337491 - TRAILER, BRAKE, COMPRESSOR, DRAIN LINE
33.224.AJ	05	VAR - 337481, 337482, 337484, 337487, 337488, 337491 - PNEUMATIC TRAILER BRAKE, AIR COMPRESSOR
33.224.AL	01	VAR - 337481, 337482, 337484, 337487, 337487, 337488, 337491 - TRAILER, BRAKE, COMPRESSOR, BELT
33.224.AL	02	VAR - 758038, 758039, 758041, 758042, 758043, 758044 - TRAILER BRAKE, COMPRESSOR, BELT

TABLE OF CONTENTS

33.224.AM	01	VAR - 758038, 758039, 758041, 758042, 758043, 758044 - TRAILER BRAKE, COMPRESSOR, LUBRICATION LINE
33.224.AM	02	VAR - 337481, 337482, 337484, 337487, 337488, 337491 - TRAILER, BRAKE, COMPRESSOR, LUBRICATION LINE
33.224.AO	01	VAR - 337481, 337482, 337484, 337487, 337487, 337488 - TRAILER, BRAKE, COMPRESSOR, PULLEY
33.224.AO	02	VAR - 758038, 758039, 758041, 758042, 758043, 758044 - TRAILER BRAKE, COMPRESSOR, PULLEY
33.224.AQ	01	VAR - 758041, 758042 - TRAILER BRAKE VALVE, INLINE
33.224.AQ	02	VAR - 758041 - TRAILER BRAKE VALVE, INLINE
33.224.AQ	03	VAR - 758038, 758039, 758041, 758042, 758043, 758044 - TRAILER BRAKE, COMPRESSOR, INLINE
33.224.AQ	04	VAR - 337481, 227482, 227484, 337487, 337488, 337491 - TRAILER BRAKE VALVE, PIPE
33.224.AZ	01	VAR - 337481, 337482, 337484, 337487, 337488, 337491, 758038, 758039 - TRAILER BRAKE VALVE
33.224.AZ	01	VAR - 758038, 758039 - TRAILER BRAKE VALVE
33.224.AZ	02	VAR - 337481, 337482, 758038, 758039 - TRAILER BRAKE VALVE
33.224.AZ	02	VAR - 758038, 758039 - TRAILER BRAKE VALVE
33.224.AZ	03	VAR - 337481, 337482, 337484, 337487, 337488, 337491, 758038, 758039 - TRAILER BRAKE VALVE
33.224.AZ	03	VAR - 758038, 758039 - TRAILER BRAKE VALVE
33.224.AZ	04	VAR - 758041, 758042 - TRAILER BRAKE VALVE
33.224.AZ	05	VAR - 337484, 337487, 758041, 758042 - TRAILER BRAKE VALVE
33.224.AZ	05	VAR - 758041, 758042 - TRAILER BRAKE VALVE
33.224.AZ	06	VAR - 758041, 758042 - TRAILER BRAKE VALVE
33.224.AZ	07	VAR - 758041 - TRAILER BRAKE VALVE
33.224.AZ	08	VAR - 758043, 758044 - TRAILER BRAKE VALVE
33.224.AZ	09	VAR - 337488, 337491, 758043, 758044 - TRAILER BRAKE VALVE
33.224.AZ	09	VAR - 758043, 758044 - TRAILER BRAKE VALVE
33.224.AZ	10	VAR - 758043, 758044 - TRAILER BRAKE VALVE
33.224.AZ	11	VAR - 758043 - TRAILER BRAKE VALVE
33.224.AZ	12	VAR - 758038, 758039, 758041, 758042, 758043, 758044 - SOLENOID VALVE
33.224.BC		VAR - 758038, 758039, 758041, 758042, 758043, 758044 - PNEUMATIC TRAILER BRAKE, VALVE
33.350.AA		VAR - 337479, 337480 - ANTILOCK BRAKING SYSTEM (ABS), COMPRESSOR, LINE
33.350.AE	01	VAR - 337479, 337480 - ANTILOCK BRAKING SYSTEM (ABS), AIR CONTROL
33.350.AE	02	VAR - 337479, 337480 - ANTILOCK BRAKING SYSTEM (ABS), AIR CONTROL, COMPONENTS
33.350.AE	03	VAR - 337479, 337480 - ANTILOCK BRAKING SYSTEM (ABS), AIR CONTROL
33.350.AF	02	VAR - 337479, 337480 - ANTILOCK BRAKING SYSTEM (ABS), AIR RESERVOIR
33.350.AG	01	VAR - 337479, 337480 - ANTILOCK BRAKING SYSTEM (ABS), AIR RESERVOIR, LINE
33.350.AG	03	VAR - 337479, 337480 - ANTILOCK BRAKING SYSTEM (ABS), AIR RESERVOIR, LINE
33.350.AH	05	VAR - 337479, 337480 - ANTILOCK BRAKING SYSTEM (ABS), LINE
33.350.AH	06	VAR - 337479, 337480 - ANTILOCK BRAKING SYSTEM (ABS), LINE
33.350.AH	07	VAR - 337479, 337480 - ANTILOCK BRAKING SYSTEM (ABS), LINE

TABLE OF CONTENTS

33.350.AH	08	VAR - 337479, 337480 - ANTILOCK BRAKING SYSTEM (ABS), LINE
33.350.AJ		VAR - 337479, 337480 - ANTILOCK BRAKING SYSTEM (ABS), FOOT CONTROL VALVE
33.350.AK	01	VAR - 337479, 337480 - ANTILOCK BRAKING SYSTEM (ABS), FOOT CONTROL VALVE, LINE
33.350.AM	03	VAR - 337479, 337480 - ANTILOCK BRAKING SYSTEM (ABS), BRAKE SERVO
33.350.AM	04	VAR - 337479, 337480 - ANTILOCK BRAKING SYSTEM (ABS), BRAKE SERVO
33.350.AN	02	VAR - 337479, 337480 - ANTILOCK BRAKING SYSTEM (ABS), PRESSURE CONTROL VALVE
33.350.AO	02	VAR - 337479, 337480 - ANTILOCK BRAKING SYSTEM (ABS), PRESSURE CONTROL VALVE
33.350.AP	01	VAR - 337479, 337480 - ANTILOCK BRAKING SYSTEM (ABS), PNEUMATIC VALVE, PRESSURE LIMITER
33.350.AQ	01	VAR - 337484, 337487 - ANTILOCK BRAKING SYSTEM (ABS), QUICK COUPLER, ITALY
33.350.AR	03	VAR - 337479, 337480 - ANTILOCK BRAKING SYSTEM (ABS), BRAKE FLUID RESERVOIR
33.350.AR	04	VAR - 337479, 337480 - ANTILOCK BRAKING SYSTEM (ABS), BRAKE FLUID RESERVOIR
33.350.AS	02	VAR - 337479, 337480 - ANTILOCK BRAKING SYSTEM (ABS), BRAKE LINE, FRONT
33.350.AT	01	VAR - 337481, 337482, 337488, 337491 - ANTILOCK BRAKING SYSTEM (ABS), REAR, BRAKE LINE
33.350.AT	03	VAR - 337484, 337487 - ANTILOCK BRAKING SYSTEM (ABS), REAR, BRAKE LINE
33.350.AT	05	VAR - 337479, 337480 - ANTILOCK BRAKING SYSTEM (ABS), BRAKE LINE, REAR
33.350.AU	03	VAR - 337479, 337480 - ANTILOCK BRAKING SYSTEM (ABS), BRAKE CYLINDER
33.350.AU	04	VAR - 337479, 337480 - ANTILOCK BRAKING SYSTEM (ABS), BRAKE CYLINDER
35.000.00	01	SECTION INDEX - HYDRAULIC SYSTEMS
35.000.00	03	SECTION INDEX - HYDRAULIC SYSTEMS
35.000.00	04	SECTION INDEX - HYDRAULIC SYSTEMS
35.000.00	05	SECTION INDEX - HYDRAULIC SYSTEMS
35.000.00	06	SECTION INDEX - HYDRAULIC SYSTEMS
35.000.00	07	SECTION INDEX - HYDRAULIC SYSTEMS
35.100.AR	01	VAR - 758071, 758072, 758073, 758074, 758075, 758076, 758077, 758078, 758079, 758080, 758081, 758082, 758083 - REMOTE CONTROL VALVE (MHR), LIFT CYLINDER, LINE
35.100.AR	02	VAR - 758071, 758072, 758073, 758074, 758075, 758076, 758077, 758078, 758079, 758080, 758081, 758082, 758083 - REMOTE CONTROL VALVE (EHR), LIFT CYLINDER, LINE
35.100.AZ	01	VAR - 337481, 337484, 337488, 391155, 758038, 758041, 758043 - PRIORITY VALVE, POWERSHIFT
35.100.AZ	01	VAR - 391155, 758038, 758041, 758043 - PRIORITY VALVE, POWERSHIFT
35.100.AZ	02	VAR - 758037, 758039, 758040, 758042, 758044 - PRIORITY VALVE, POWERSHIFT
35.100.AZ	04	VAR. 758040, 758042 - PRIORITY VALVE, POWERSHIFT
35.100.AZ	05	VAR - 337487 - HYDRAULIC AND PNEUMATIC TRAILER BRAKE, LINES, ANTILOCK BRAKING SYSTEM (ABS)
35.100.AZ	06	VAR - 337482, 337491 - HYDRAULIC AND PNEUMATIC TRAILER BRAKE, LINES, UK
35.100.BA	01	VAR - 391168 - LESS MID MOUNTED VALVES - PRIORITY VALVE, LINE
35.100.BA	02	VAR - 758064, 758065, 758066 - ELECTRONIC MID MOUNTED VALVES, PRIORITY VALVE, LINE
35.100.BI	01	VAR - 391170, 758071, 758072, 758074 - LIFT CYLINDER
35.100.BI	02	VAR - 758075, 758076, 758077, 758079 - LIFT CYLINDER

TABLE OF CONTENTS

35.100.BI	03	VAR - 758080, 758081, 758082, 758083 - LIFT CYLINDER
35.100.BI	04	VAR - 391170, 758071, 758072, 758074 - LIFT CYLINDER, COMPONENTS
35.100.BI	05	VAR - 758075, 758076, 758077, 758079 - LIFT CYLINDER, COMPONENTS
35.100.BI	06	VAR - 758080, 758081, 758082, 758083 - LIFT CYLINDER, COMPONENTS
35.104.AA	01	VAR - 391161, 758056 - HYDRAULIC PUMP, POWERSHIFT
35.106.AD	01	VAR - 391161, 758056 - HYDRAULIC PUMP (45CC CCLS), POWERSHIFT
35.106.AD	03	VAR - 391161, 758056 - HYDRAULIC PUMP, COMPONENTS, POWERSHIFT
35.124.AA		VAR - 758072, 758077, 758082 - SOLENOID VALVE, COMPONENTS
35.124.AB	01	VAR - 758072, 758077, 758082 - SOLENOID VALVE, LINE
35.124.AB	03	VAR - 758072, 758077, 758082 - SOLENOID VALVE, PLUGS
35.124.AD	01	VAR - 758071, 758076, 758081 - 3 HITCH POINT, TOP LINK, COMPONENTS
35.124.AE	01	VAR - 758072, 758077, 758082 - TOP LINK, LINE
35.124.AE	02	VAR - 758071, 758076, 758081 - 3 HITCH POINT, TOP LINK, LINE
35.124.AJ	01	VAR - 758072, 758077, 758082 - 3 HITCH POINT, HYDRAULIC LIFT, ARM
35.124.AJ	03	VAR - 758072, 758077, 758082 - 3 HITCH POINT, HYDRAULIC LIFT, ARM, COMPONENTS
35.160.AB	01	VAR - 758088, 758089, 758090 - 3 POINT HITCH, FRONT, VALVE, LINE - END YR 01-SEP-2014
35.160.AB	01A	VAR - 758088, 758089, 758090 - 3 POINT HITCH, FRONT, VALVE, LINE - BEGIN YR 02-SEP-2014
35.160.AB	02	VAR - 758088, 758089, 758090 - 3 POINT HITCH, FRONT, VALVE, LINE, W/ SUPERSTEER™ FRONT AXLE
35.160.AB	03	VAR - 758091, 758245 - 3 POINT HITCH, FRONT, W/ PTO, VALVE, LINE - END YR 01-SEP-2014
35.160.AB	03A	VAR - 758091, 758245 - 3 POINT HITCH, FRONT, W/ PTO, VALVE, LINE - BEGIN YR 02-SEP-2014
35.160.AB	04	VAR - 758092, 758246 - 3 POINT HITCH, FRONT, VALVE, LINE - END YR 01-SEP-2014
35.160.AB	04A	VAR - 758092, 758246 - 3 POINT HITCH, FRONT, VALVE, LINE - BEGIN YR 02-SEP-2014
35.160.AB	04B	VAR - 758092, 758246 - 3 POINT HITCH, FRONT, VALVE, LINE - BEGIN YR 02-SEP-2014
35.160.AB	05	VAR - 758092, 758246 - 3 POINT HITCH, FRONT, VALVE, LINE, W/ SUPERSTEER™ FRONT AXLE
35.160.AB	06	VAR - 758093, 758247 - 3 POINT HITCH, FRONT, W/ PTO, VALVE, LINE - END YR 01-SEP-2014
35.160.AB	06A	VAR - 758093, 758247 - 3 POINT HITCH, FRONT, W/ PTO, VALVE, LINE - BEGIN YR 02-SEP-2014
35.160.AB	06B	VAR - 758093, 758247 - 3 POINT HITCH, FRONT, W/ PTO, VALVE, LINE - BEGIN YR 02-SEP-2014
35.160.AF	01	VAR - 758088, 758089, 758090 - 3 POINT HITCH, FRONT, VALVE - END YR 01-SEP-2014
35.160.AF	01A	VAR - 758088, 758089, 758090 - 3 POINT HITCH, FRONT, VALVE - BEGIN YR 02-SEP-2014
35.160.AF	02	VAR - 758088, 758089, 758090 - 3 POINT HITCH, FRONT, VALVE, W/ SUPERSTEER™ FRONT AXLE
35.160.AF	03	VAR - 758091, 758245 - 3 POINT HITCH, FRONT, W/ PTO, VALVE - END YR 01-SEP-2014
35.160.AF	03A	VAR - 758091, 758245 - 3 POINT HITCH, FRONT, W/ PTO, VALVE - BEGIN YR 02-SEP-2014
35.160.AF	04	VAR - 758092, 758246 - 3 POINT HITCH, FRONT, VALVE - END YR 01-SEP-2014
35.160.AF	04A	VAR - 758092, 758246 - 3 POINT HITCH, FRONT, VALVE - BEGIN YR 02-SEP-2014
35.160.AF	05	VAR - 758092, 758246 - 3 POINT HITCH, FRONT, VALVE, W/ SUPERSTEER™ FRONT AXLE
35.160.AF	06	VAR - 758093, 758247 - 3 POINT HITCH, FRONT, W/ PTO, VALVE - END YR 01-SEP-2014

**Thanks very much for your reading,
Want to get more information,
Please click here, Then get the complete
manual**

JustClickHere 

NOTE:

**If there is no response to click on the link above,
please download the PDF document first, and then
click on it.**

**Have any questions please write to me:
admin@servicemanualperfect.com**